



www.stustrailers.com

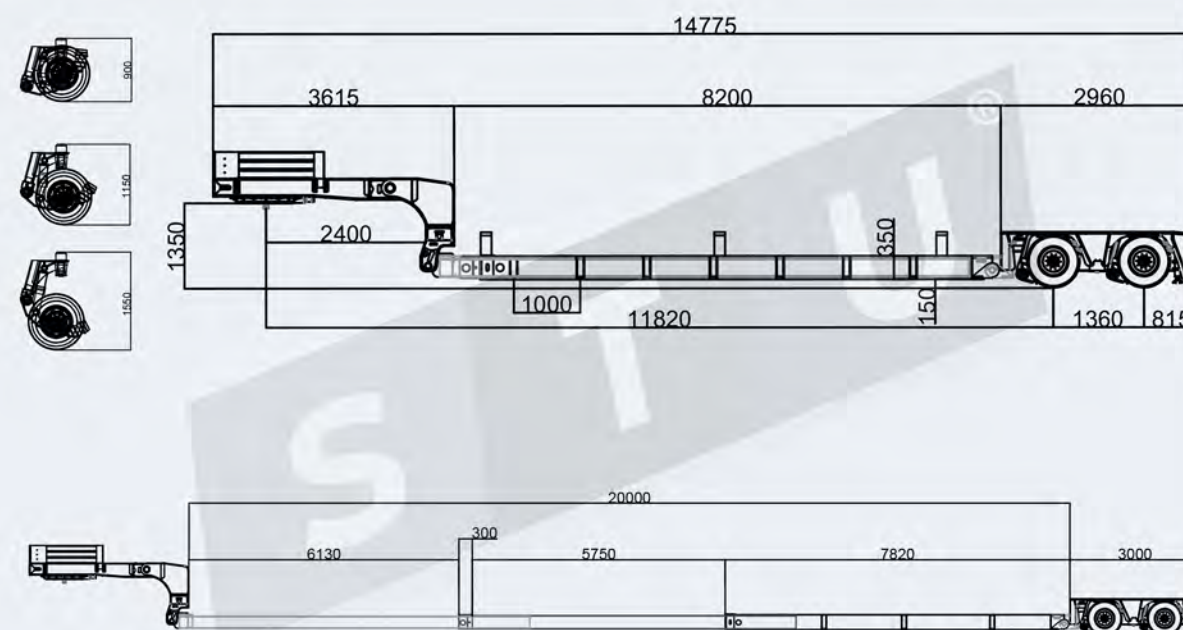


HYDRAULIC STEERING LOW LOADER TRAILER

2 PENDULAR AXLE DOUBLE EXTENDABLE LOW LOADER



TECHNICAL DRAWING



SPECIFICATIONS

GENERAL DETAILS:

Speed	: 80KM/H
Total Gross Weight	: 54.800 KGS
Kingpin Weigh	: 24.000 KGS
Total Axle Weigh	: 30.800 KGS
Empty Weight of Lowbed	: 16.500 KGS - ±%3
Legal Loading Cap.	: 38.300 KGS - ±%3

GOOSENECK:

King pin load technical	: 24.000 kg
For Truck	: Suitable with 6x2 - 6x4 - Short 8x4

CHASSIS: Completely S355JR + S700MC strength steel welded with robotic arc welding machine high tension production. On platform every 50cm width extension bars.

AXLES: 4 x 7.700 Kgs Capacity - GIGANT Brand Axles, All Axles are automatic hydraulic steering
4 x High Capacity hydraulic suspension cylinders, 4 x 24/30 emergency brake chambers, Drum Brake System, 4 x automatic slack adjuster, Hydraulic Steering System, Emergency Brake, Load Arrangement Ventil,

BRAKE: Wabco 4s-3m EBS Brake System, Drum brake System, Emergency Brake System, Loading Settings Ventile,

REMOTE CONTROL FUNCTIONS:

Remote control for hydraulic steering, Turns to axles right and left, Zero Position for axles

TYRES:

8 + 1 Tyres 265/70 R19,5 (J Type) Fulda or Pirelli or Starmaxx Brand
8 + 1 Pcs 19,5" Rims

ACCESSORIES:

- 8 x Red+White Expanding to Sides Heavy Loading Reflectors: Front and Back side red+White
- At back side of plate there will be 1 electrical sockets and lamp brackets to use turning lamps
- Detachable Container Locks for 1x40 feet and 2x20 feet containers,
- 18 Units x 2500 mm (2 Pieces in 1 Unit interlocking) Side bars and holes / Fixing Bars
- 4 Pieces tables with 50x100mm Bar Hole inside of extension arms
- 16 Tonnes chain lashing rings sides, 2 pcs of warning turning lamps, Fire box, Wheel chock, Load lashing rings.
- Front Ramp for loading with wheel
- 1 x Spare Reciever + 1 x Spare Remote Control
- All woods will be beech tree (Tropical)
- All hydraulic connections will be with Faster Brand easy connection.

DETAIL PICTURES

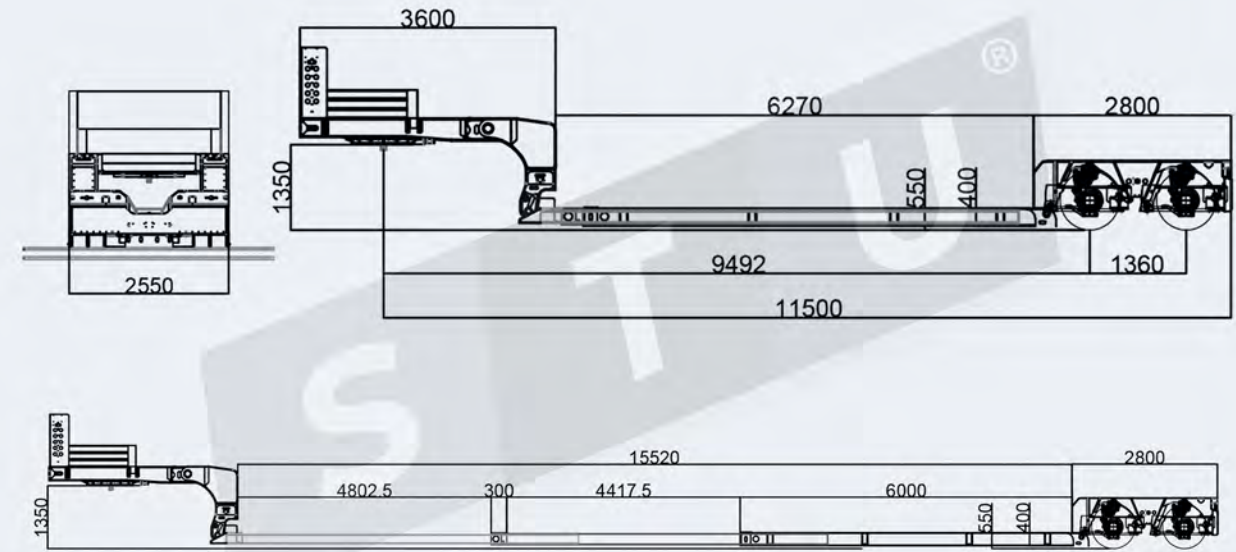


2 AXLE DOUBLE EXTENDABLE LOW LOADER



HYDRAULIC STEERING

TECHNICAL DRAWING



SPECIFICATIONS

GENERAL DETAILS:

- Legal loading capacity : 36.000 Kgs (With Trailer Weight)
- King Pin Loading Capacity : 24.000 Kgs.
- Total Length in open position : 12.700 mm (6.800mm + 5.500mm) + 2800mm Axles area
- Width : 2.550 mm + (25 cm Right and Left Flags Expanders)
- Platform Length : 6.800 mm
- Hydraulic Gooseneck Length : 3.100 mm
- Dead Weight (approximately) : 13.000 Kg (± %3)

GOOSENECK:

- King pin load technical : 24.000 kg
- For Truck : Suitable with 6x2 - 6x4 - Short 8x4

CHASSIS: Completely S355JR + S700MC strength steel welded with robotic arc welding machine high tension production. On platform every 50cm width extension bars.

AXLES: Trax Brand Axles

- 2 x 9 Tonnes Axles, All Axles are automatic hydraulic steering
- High Capacity air suspension balloons
- 2 x 24 brake chamber, 2 x 24/30 emergency brake chambers
- 4 x automatic slack adjuster, Rexroth Hydraulic Steering System,

BRAKE: Drum brake System, Emergency Brake System
Loading Settings Ventile, Wabco Double Line EBS

REMOTE CONTROL FUNCTIONS:

- Remote control hydraulic steering, Set up gooseneck lifting,
- Set up platform lifting, Turns to axles right and left

TYRES:

- 8 Pcs Tyres 245/65 R17,5 (J)
- 8 Pcs 17,5" Rims

ACCESSORIES:

- At the front of lowbed, back side of red+White reflector
- "Convoi Exceptionnel " plate will be at back side at lowbed plate
- At back side of plate there will be 2 electrical sockets and lamp brackets to use turning lamps
- Detachable Container Locks for 40 feet and 20 feet containers
- 2 x Long vehicle warning plates with LED lamps
- 1 pcs of 3,5 inch king pin, 16 Tonnes chain lashing rings sides
- 4 pcs of warning turning lamps

ELECTRICAL SYSTEM:

- Dasteri brand electrical system suitable for EU regulation
- 24 V, ABS jack, 2 pcs 7 function stop lamp, 2 pcs plate lamp, Side lamps

DETAIL PICTURES



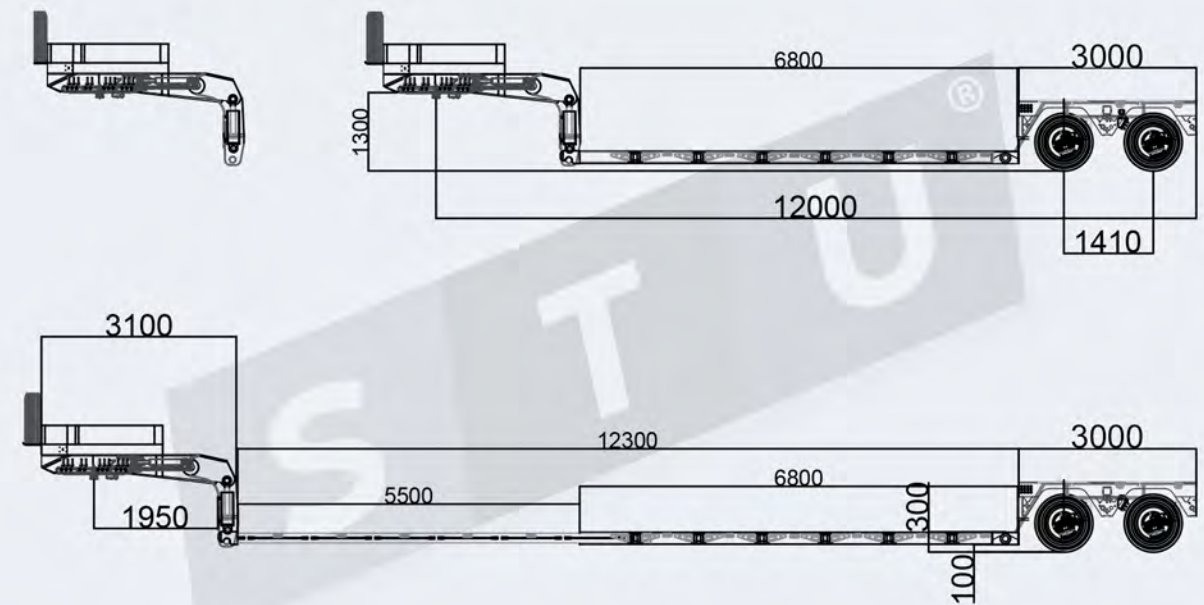
2 AXLE EXTENDABLE LOW LOADER



CLICK for VIDEO

HYDRAULIC STEERING

TECHNICAL DRAWING



SPECIFICATIONS

GENERAL DETAILS:

Legal loading capacity : 36.000 Kgs (With Trailer Weight)
 King Pin Loading Capacity : 24.000 Kgs.
 Total Length in open position : 12.700 mm (6.800mm) + 2800mm Axles area
 Width : 2.550 mm + (25 cm Right and Left Flags Expanders)
 Platform Length : 6.800 mm
 Hydraulic Gooseneck Length : 3.100 mm
 Dead Weight (approximately) : 13.000 Kg (± %3)

GOOSENECK:

King pin load technical : 24.000 kg
 For Truck : Suitable with 6x2 - 6x4 - Short 8x4

CHASSIS : Chassis: Completely S355JR + S700MC strength steel welded with robotic arc welding machine high tension production. On platform every 50cm width extension bars.

AXLES :

Trax Brand Axles
 2 x 9 Tonnes Axles, All Axles are automatic hydraulic steering
 High Capacity air suspension balloons
 2 x 24 brake chamber, 2 x 24/30 emergency brake chambers
 4 x automatic slack adjuster, Rexroth Hydraulic Steering System,

BRAKE : Drum brake System, Emergency Brake System
 Loading Settings Ventile, Wabco Double Line EBS

REMOTE CONTROL FUNCTIONS:

Remote control hydraulic steering, Set up gooseneck lifting,
 Set up platform lifting, Turns to axles right and left

TYRES:

8 Pcs Tyres 245/65 R17,5 (J)
 8 Pcs 17,5" Rims

ACCESSORIES:

At the front of lowbed, back side of red+White reflector
 "Convoi Exceptionnel " plate will be at back side at lowbed plate
 At back side of plate there will be 2 electrical sockets and lamp brackets to use turning lamps
 Detachable Container Locks for 40 feet and 20 feet containers
 2 x Long vehicle warning plates with LED lamps
 1 pcs of 3,5 inch king pin, 16 Tonnes chain lashing rings sides
 4 pcs of warning turning lamps

ELECTRICAL SYSTEM:

Dasteri brand electrical system suitable for EU regulation
 24 V, ABS jack, 2 pcs 7 function stop lamp, 2 pcs plate lamp, Side lamps

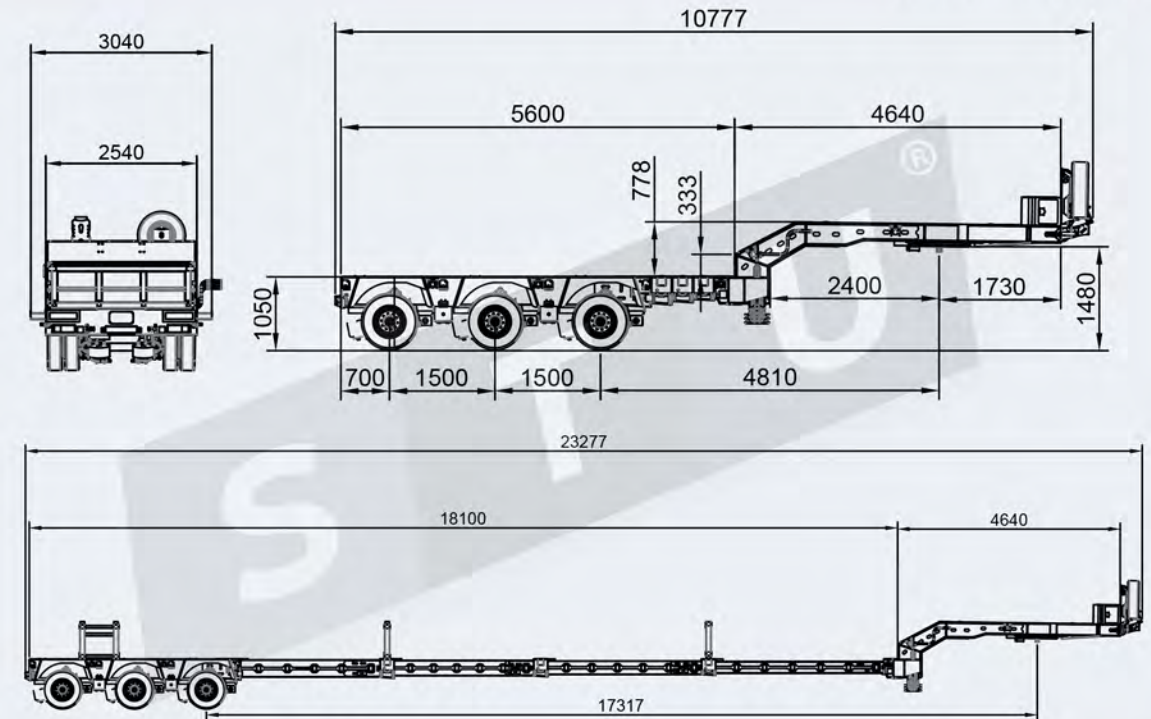
DETAIL PICTURES



3 AXLE TRIPLE EXTENSIONS LOW LOADER



TECHNICAL DRAWING



SPECIFICATIONS

GENERAL DETAILS:

Speed	: 80 KM/H
Total Gross Weight	: 60.000 KGS
Kingpin Weight	: 24.000 KGS
Total Axle Weight	: 33.000 KGS
Empty Weight of Lowbed	: 15.000 KGS
Legal Loading Cap.	: 45.000 KGS
Gooseneck Length	: ±4.640 mm
Gooseneck Turning Distance	: ±2.400 mm
Fifth Wheel Height	: ±1.480 mm
Air Suspension	: ±55 / -125 mm STRONG
Total Width	: ± 2.550 mm

GOOSENECK

King pin load technical : 24.000 kg

LOADING PLATFORM:

Chassis : Completely S355JR strength steel welded with robotic arc welding machine high tension production, extension parts will be made with MC700 and S960QL steel grade.

Loading platform length	: ± 5.600 mm ±%3
Extended total length	: ± 22.740 mm
Loading platform manual extended width	: ± Right: 250mm / Left: 250mm
± 150mm bumper corner to optimize rear swin	

AXLES : GIGANT Drum Brand Axles

- 3 x 12 Tonnes Hydraulic Steering Axles
- Lifting / Landing Valves with Air suspension
- 6 x High Capacity air suspension balloons
- 2 x 24 brake chamber, 4 x 24/30 emergency brake chambers
- 6 x automatic slack adjuster, Drum Brake System

BRAKE : Drum brake System, Emergency Brake System
Wabco Double Line EBS

REMOTE CONTROL FUNCTIONS:

- Remote Wireless control hydraulic steering,
- Set up platform lifting, Turns to axles right and left

TYRES:

12 Pcs Tyres 235/75 R17.5 (J) twin tyres
Load Index 143J 6 Pcs 17,5" Rims

ACCESSORIES:

- 4 x Red+White Expanding to Sides Heavy Loading Reflectors: Front and Back side
- 2 x Long vehicle warning plates with LED lamps
- 2 x Led Working Lamps on right and left side
- 2 x Led Working Lamps on back side
- 2 pcs of warning turning lamps at rear, Fire box, Wheel chock,
- Galvanized load supporters
- And lashing rings (16 Tons Capacity) Also placed equally with 800mm between each one on platform and gooseneck.
- Nails at the rear side of lowbed for Alu ramps , 6 x Container Twist Locks

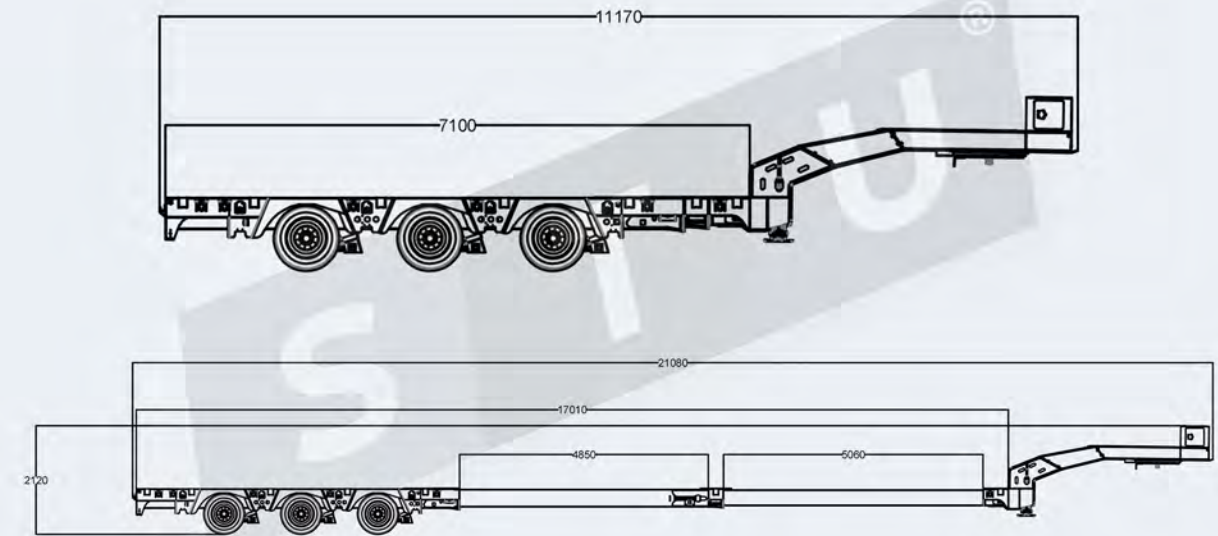
DETAIL PICTURES



3 AXLE DOUBLE EXTENDABLE LOW LOADER



TECHNICAL DRAWING



SPECIFICATIONS

GENERAL DETAILS:

Speed	: 70KM/H
Total Gross Weisght	: 54.000 KGS
Kingpin Weigh	: 18.000 KGS
Total Axle Weigh	: 36.000 KGS
Empty Weight of Lowbed	: 12.500 KGS
Legal Loading Cap.	: 41.500 KGS
Gooseneck Lenght	: ±3,940 mm
Gooseneck Turning Distance	: ±2.350 mm
Fifth Wheel Height	: ±1,400 mm
Total Width	: ± 2.550 mm

GOOSENECK

King pin load technical	: 18.000 kg
For Truck	: 6x2

LOADING PLATFORM:

Chassis: Completely S355JR and MC700 Level Steel strength steel welded with robotic arc welding machine high tension production .

Loading platform length	: ± 7.100 mm
Extended total lenght	: ± 17.000 mm
Loading platform manual extended width	: ± Right: 250mm / Left 250mm
± 150mm bumper corner to optimize rear swing	

AXLES: 3 x 12 Tonnes Hydraulic Steering Trax Brand Axles,
Lifting / Landing Valves with Air suspension
6 x High Capacity air suspension pillows
Emergency Brake System, Load Arranging Ventile

BRAKE: Drum brake System, Emergency Brake System
Wabco Brake System, EBS-E SYSTEM (Without connection cable with truck)

REMOTE CONTROL FUNCTIONS:

Remote control hydraulic steering, Set up gooseneck lifting,
Set up platform lifting, Turns to axles right and left

TYRES:

6 Pcs Tyres 205/65/17.5 (J) twin tyres
Load Index129/127 6 Pcs 17,5" Rims

ACCESSORIES:

4 x Red+White Expanding to Sides Heavy Loading Reflectors: Front and Back side red+White
2 x Long vehicle warning plates with LED lamps
2 pcs of warning turning lamps AT REAR, Fire box, Wheel chock,
Galvanized sticks with dimension 50x100x1000mm,
And lashing rings (5 Tons) Also placed equally with 1000mm between.
Nail on rear for ALuminium Ramps
12 pieces load fixing galvanized holders with 10 and 20 angle

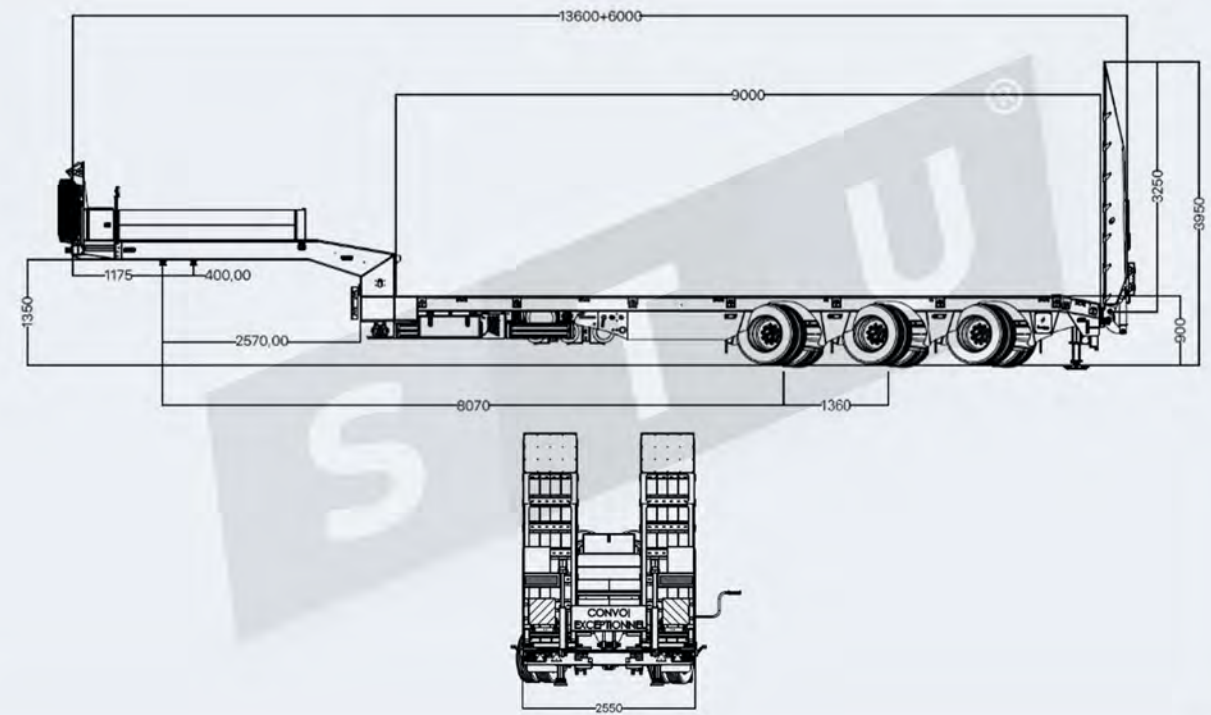
DETAIL PICTURES



3 AXLE LOW LOADER



TECHNICAL DRAWING



SPECIFICATIONS

CHASSIS: Completely S700MC+QL690 strength steel welded with robotic arc welding machine high tension production.

King pin load technical : 24.000 kg
For Truck : 4x2 - 6x2 - 6x4

AXLES: 3 x 12 Tonnes Trax Brand Axles, All Axles are automatic hydraulic steering
 High Capacity air suspension balloons, 2 x 24 brake chamber, 4 x 24/30 emergency brake chambers
 4 x automatic slack adjuster, Hydraulic Steering System manually and with remote control system

BRAKE: Drum brake System, Emergency Brake System, Loading Settings Ventile, Wabco 4S-3M EBS

REMOTE CONTROL FUNCTIONS:
 Remote control for hydraulic steering and set up gooseneck lifting,
 Set up platform lifting, Turns to axles right and left
 Set up load sensing valves, Width extension locking, Axles Lifting Settings

TYRES:
 12 Pcs Tyres 235/70R17,5" or 245/65 R17,5 (J)
 12 Pcs 17,5" Rims

ACCESSORIES & OPTIONS:
 8 x Red+White Expanding to Sides Heavy Loading Reflectors: Front and Back side red+White
 At the front of lowbed, back side of red+White reflector, At back side of plate there will be 2 electrical sockets and lamp brackets to use turning lamps, 2 x Long vehicle warning plates with LED lamps, 10 Tonnes chain lashing rings, 2 pcs of warning turning lamps, SKF Automatic Greasing Unit

ELECTRICAL SYSTEM:
 Dasteri brand electrical system suitable for EU regulation, 24 V, ABS jack, 2 pcs 7 function stop lamp, 2 pcs plate lamp, Side lamps, Reflectors,

PAINT and COLOR:
First Step : Sand Blasting all surface
First Layer : Barrier™ 80 (%80 Zinc-Reach) Coating Double Times - C5 (ISO 12944-2)
Second Layer : Epoxy Coating
Third Layer : Brand Premium Acrylic Paint
Fourth Layer : 2K Super Clear Coating for Protection and Shine (95-110 GU) 60 Degree
 Color of the trailer will be RAL.....
 On platform anti slip painting

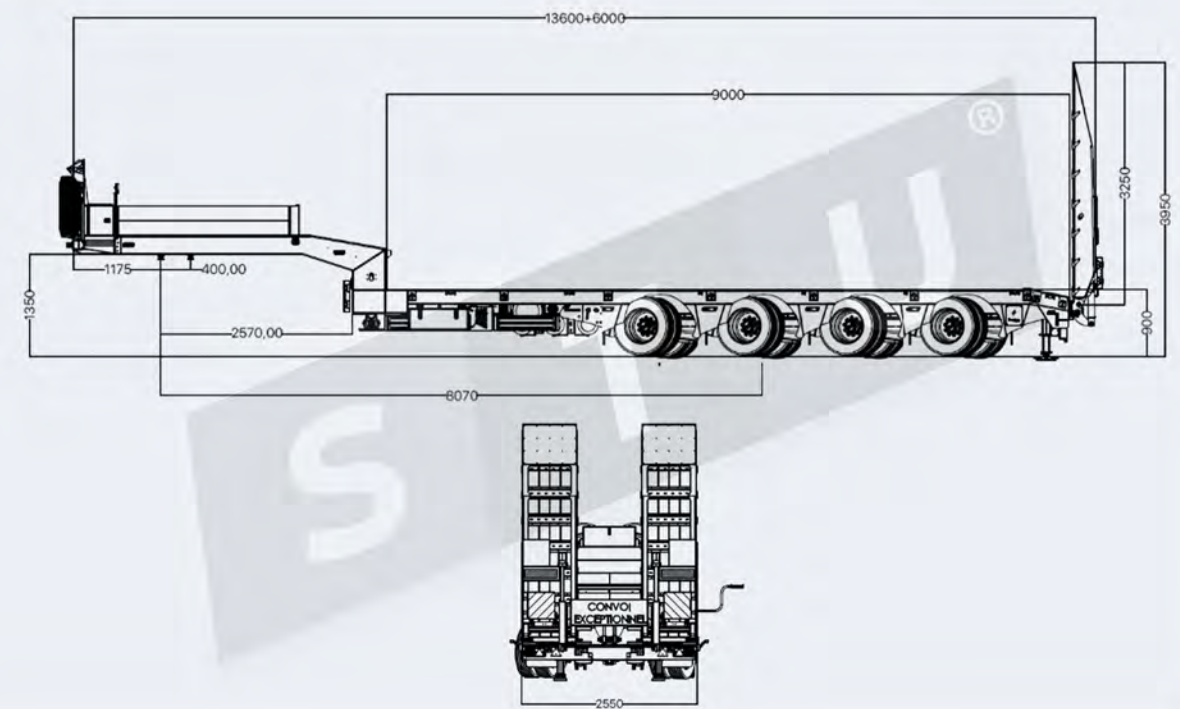
DETAIL PICTURES



4 AXLE LOW LOADER



TECHNICAL DRAWING



SPECIFICATIONS

CHASSIS: Completely S700MC+QL690 strength steel welded with robotic arc welding machine high tension production.

King pin load technical : 24.000 kg
For Truck : 4x2 - 6x2 - 6x4

AXLES: 4 x 12 Tonnes Trax Brand Axles, All Axles are automatic hydraulic steering
 High Capacity air suspension balloons, 2 x 24 brake chamber, 4 x 24/30 emergency brake chambers
 4 x automatic slack adjuster, Hydraulic Steering System manually and with remote control system

BRAKE: Drum brake System, Emergency Brake System, Loading Settings Ventile, Wabco 4S-3M EBS

REMOTE CONTROL FUNCTIONS:
 Remote control for hydraulic steering and set up gooseneck lifting,
 Set up platform lifting, Turns to axles right and left
 Set up load sensing valves, Width extension locking, Axles Lifting Settings

TYRES:
 16 Pcs Tyres 235 /70r 17,5 " or 245/65 R17,5 (J)
 16 Pcs 17,5" Rims

ACCESSORIES & OPTIONS:
 8 x Red+White Expanding to Sides Heavy Loading Reflectors: Front and Back side red+White
 At the front of lowbed, back side of red+White reflector , At back side of plate there will be 2 electrical sockets and lamp brackets to use turning lamps, 2 x Long vehicle warning plates with LED lamps, 10 Tonnes chain lashing rings, 2 pcs of warning turning lamps, SKF Automatic Greasing Unit

ELECTRICAL SYSTEM:
 Dasteri brand electrical system suitable for EU regulation, 24 V, ABS jack, 2 pcs 7 function stop lamp, 2 pcs plate lamp, Side lamps, Reflectors,

PAINT and COLOR:
First Step : Sand Blasting all surface
First Layer : Barrier™ 80 (%80 Zinc-Reach) Coating Double Times - C5 (ISO 12944-2)
Second Layer : Epoxy Coating
Third Layer : Brand Premium Acrylic Paint
Fourth Layer : 2K Super Clear Coating for Protection and Shine (95-110 GU) 60 Degree
 Color of the trailer will be RAL.....
 On platform anti slip painting

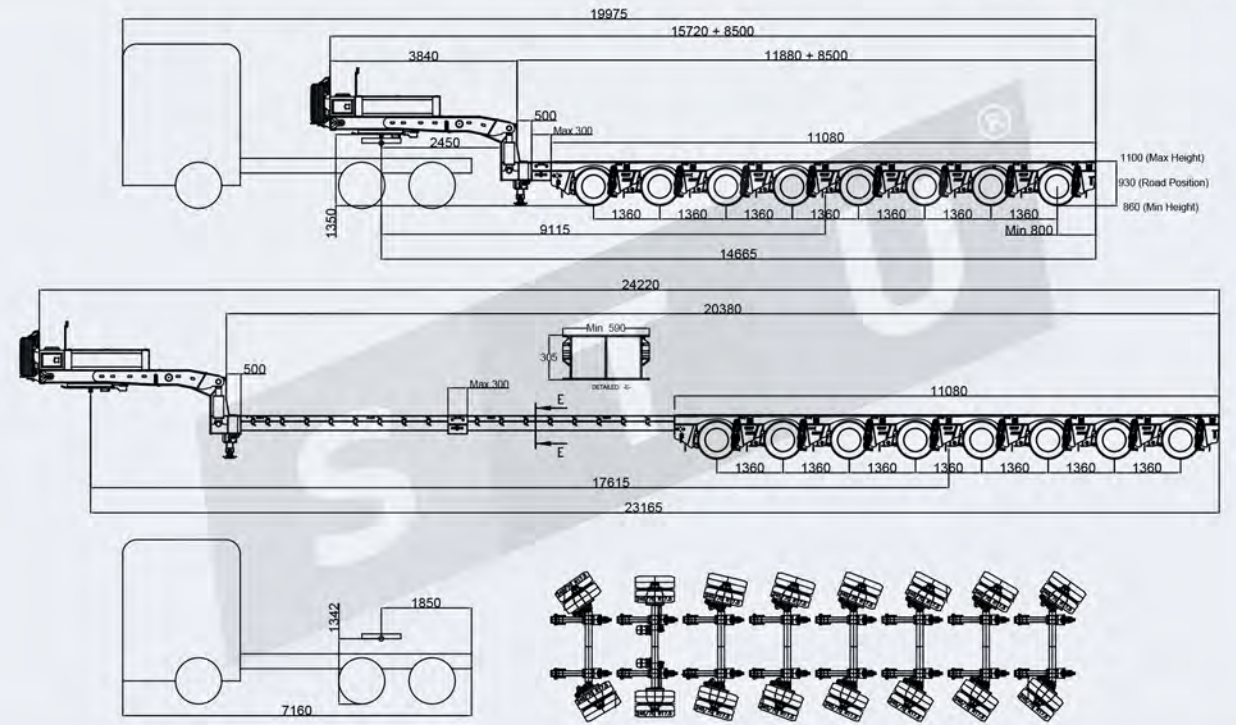
DETAIL PICTURES



8 AXLE EXTENDABLE LOW LOADER



TECHNICAL DRAWING



SPECIFICATIONS

DIMENSIONS:
 Maximum Height : 1100 mm
 Road Position : 930 mm
 Minimum Height : 860 mm
 The Length Of The Gooseneck : 3.840 mm
 Total Platform Width : 2.550 mm + (Expansion Profiles: 400+400 mm)
 Kingpin Capacity : 30 Tons
 Empty Weight : 24Tons (Around)

CHASSIS and STRUCTURE:
 In accordance with the purpose of usage and it's capacity with safety transports, all trailers design of their constructions with high strenght cross members and productions are with high-tech welding machines. Quality Strenx™ 700E (MC700) steel grade is using on productions. Hydraulic gooseneck will be managed by remote control. All hydraulics has ECU system for management as powered by PLC.

HYDRAULIC STEERING AXLES:
 8 x 12 Tons Capacity TRAX Brand Axles
 Last 6 Axles Hydraulic Steering Axles with remote control
 Landing Valves with Air suspension,
 16 x High Capacity Hydraulic Suspension System

SUSPENSION SYSTEM : HYDRAULIC SUSPENSION CYLINDER
TIRES AND RIMS : 245/70 R17.5" size 32+2 units tubeless tires

ELECTRICAL SYSTEM:
 All brand is DASTERI Dynamic Led Stop Lights 24V electrical system
 4 x RED + WHITE Square Plates Reflectors with lamps
 2 x On rear + 4 x On Gooseneck Working Night LED Lights
 Heavy Duty Powerpack
 On hydraulic management Tele- Radio brand hand terminal
 On front of gooseneck, Hydraulic System Control and test PLC Screen

BRAKE EQUIPMENT:
 4S-6M Knorr or Wabco Brand EBS system (2 EBS Brain + 1 Modulator) with TRM Module
 Totally 300 liter Air tanks and 1 filter, Distribution of air to be by plastic hoses 8-12-15 size,

KING PIN : JOST Brand DIN 74080 standards
PARKING LEGS : Hydraulic landing gears are telescopic, parallel working, with wide shoes static 50 tons, dynamic 25 tons capacity.

ACCESSORIES:
 Control Panel (Working Lights, Panel Lights, Blitz Lights, Suspension Leveler, Emergency Brake Button)
 2 x 9 Widening Brackets, 2 x Bike safety bar, 1 x Galvanized Toolbox on Gooseneck with Lock and 3 doors
 2 x Wheel Wedges, 6 x Working Lights, 14 x Chain Rings on platform + 4 Chain Rings On Gooseneck (16 tons capacity)
 Tropical Hard Wood on platform (IREKO or SAPELLE Tree), Automatic Hydraulic Legs under gooseneck, 1 x Spare Wheel Holders, Aluminium Gooseneck Side Walls, 2 Spare Tyres, 1 x Document Box, Fuse Box for electricity, Aluminium Light Beam and Aluminium small accessories

DETAIL PICTURES



www.stutrailer.com / www.stutrailers.com



STU Trailers® Company, LIMITED Is manufacturer of different kinds of lowbed and low loader / lowboy trailers in Turkey as an independent family company. We are experienced in production of lowloaders more than 15 years and exporting more than 35 countries in different size of lowloaders for heavy haulage / special transportation sectors. Regarding our customers usage habits and experience we always focus to make them satisfy and we desing our lowloaders on this aim. In different variants of load transportations as tall, wide, long and heavy we have solutions for transportation companies.

STU Trailers Co. started in a garage and firstly in the local market started to share it's services on second hand and new productions. Year by years by the demand of Export markets continued to give services to EU Countries, African Countries, Far East and South America Countries markets as keeping our traditional quality on our production and marketing steps. Our R&D center is always following new technologies in different diciplines how we adapt on our solutions to heavy transport and special project loads and defence sectors. As the experts for unique requirements, we are constantly expanding our portfolio of products, services, working intensively in the areas of product development and optimisation due to changing new production technologies progress and situations of new different size of loads. Today, our vehicles can be found on more than 35 countries in the world. Our COC certificates facilitated fast registration with minimal administrative effort. We hope you could be facinated to discover our comprehensive and versatile product portfolio!

We offer transport solutions for sectors; heavy transport, construction, agriculture, boat transport, forestry, wood, vertical transport, finished parts transport, wind power and energy and as well as public projects in the defence and aircraft industry with our designs on your special projects. Our customers value our reliability and flexibility in offering tailored transport solutions even in the face of difficult challenges. Indeed, We know our customers and their experiences on heavy transportations in diffucult challenges, so we always try to offer our vehicles projects excel with their technical quality and sustainable production methods.


In all photos of lowbed and lowladers produced for related customers's needs and orders. As you can reliese our tecnical team is focusing and aim to make happy owner of lowloaders and always keep in touch with users / drivers for their different habits for their technical needs. Always habits, road and heavy transport conditions are not same in whole world so, we try to offer the best solution that we can effort for their safety, long-life lowbeds. On lowlaoder hydraulic, electric and other components are completely designing by our experienced engineers and based on heavy haulages projects which is sharing by our valuable customers. Our designs are testing on analysis programs and before production we are able to understand how the loads will effect on new lowloader or lowbed steel construction after loaded on the roads and all designs are based on our experiences.


For correct maching of steel parts laser cut is indispensable to prepare steel construction for production of lowbeds / lowloaders projects. All process of welding has it's own steel grade and welding wires peculiar to its steel grade. Meanwhile using non standard equipments for cutting, curving, bending, welding steps which designed by our valuable engineers. STU Trailers®keep it's rights to change drawing, designs, prices and other components which are exist on the web page and in their offers. All rights reserved. Used under license and no one can copy, share with 3rd parties with or without STU Trailers permissions.

About Us




Contact

 Fevzi Cakmak Mahallesi, 10664. Sokak,
No:30-1 Karatay / Konya / TURKEY

 +90 541 336 63 77
+90 555 057 72 77

 stustrailers@gmail.com
sales@stustrailer.com

 www.stustrailer.com / www.stustrailers.com

   /STUTrailers